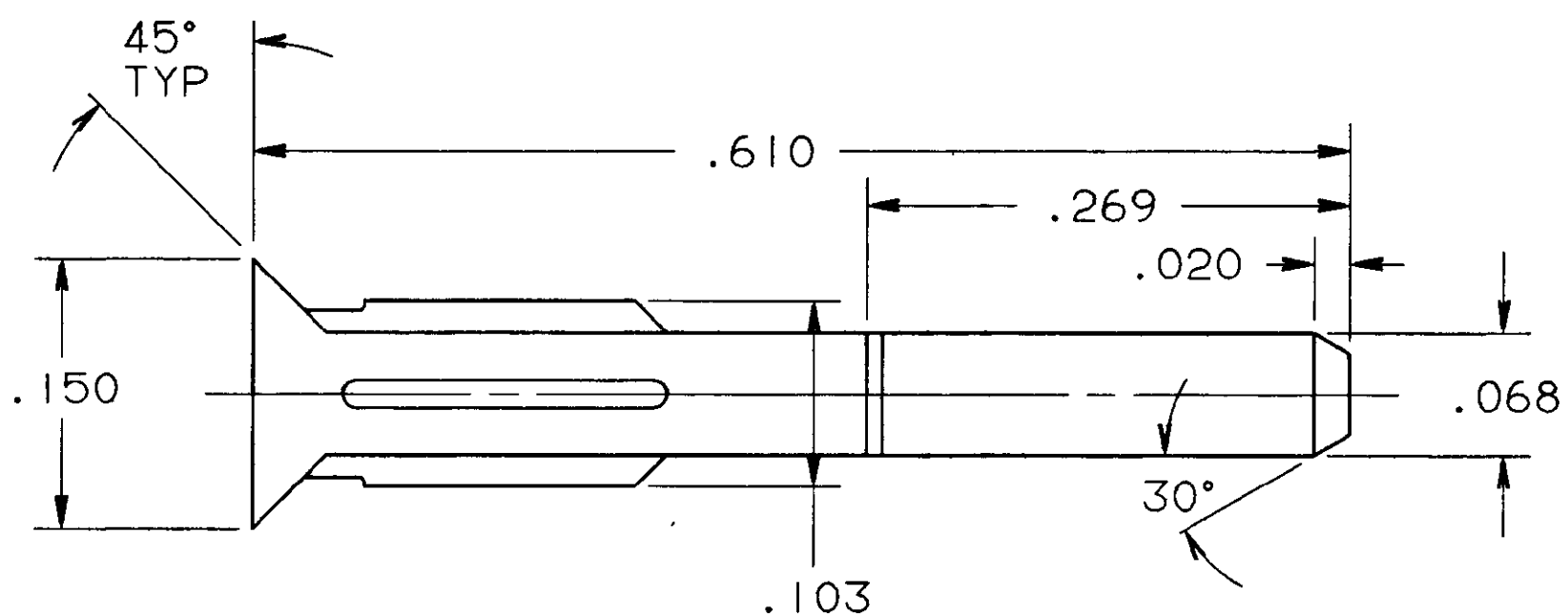


DRAWING MADE IN THIRD ANGLE PROJECTION

THIS DRAWING IS UNPUBLISHED. RELEASED FOR PUBLICATION . 19 .
© COPYRIGHT 19 BY AMP INCORPORATED, HARRISBURG, PA. ALL INTERNATIONAL RIGHTS RESERVED. AMP PRODUCTS MAY BE COVERED BY U.S. AND FOREIGN PATENTS AND/OR PATENTS PENDING

LOC	DIST	P	F	REVISIONS			
				ZONE	LTR	DATE	APPR
AD	14			0	REL PER 86-5256-216	6/4/87	PF
				A	REV PER AD1948	10/87	LW
				B	REV PER AD2378	4/88	CP
				C	REV PER AD2670	6/88	CP



△ MATERIAL 94-VO POLYESTER, COLOR: NATURAL

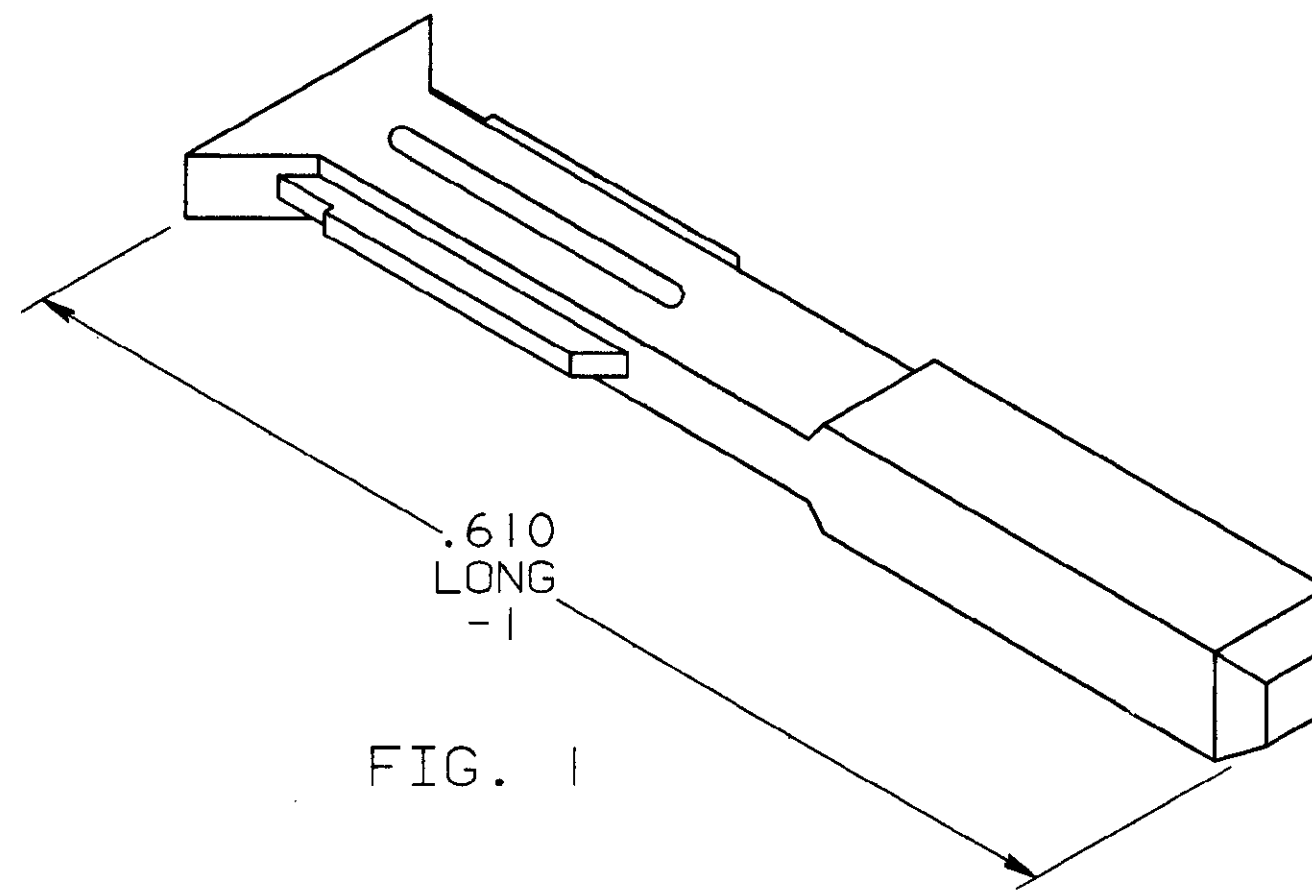
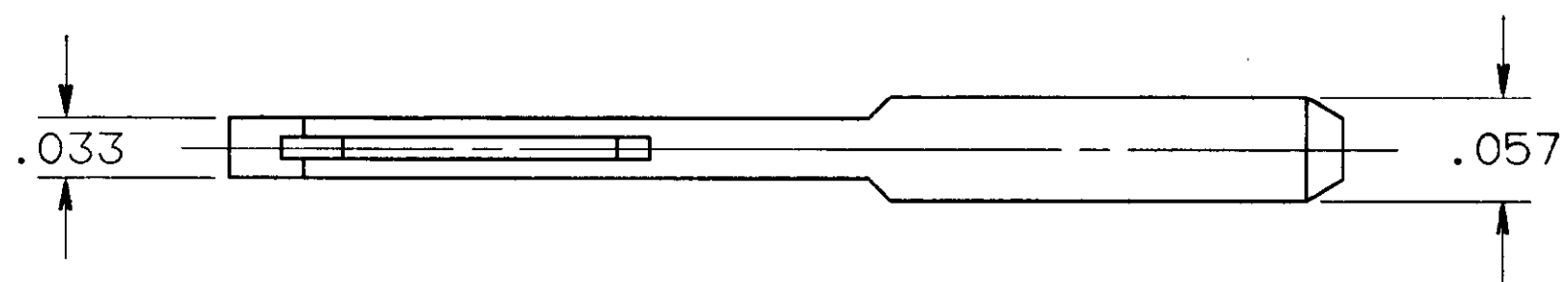


FIG. 1



LENGTH	DESCRIPTION	PART NO
	FIG. 2 KEY PLUG, SHCRT	650025-2
	FIG. 1 KEY PLUG, LONG	650025-1

UNLESS OTHERWISE SPECIFIED DIMENSIONS ARE IN INCHES TOLERANCES ON: 2 PL DEC ± — 3 PL DEC ± .005 ANGLES ± 3'	DR <i>C. PIERCE</i> 1-16-87	AMP AMP INCORPORATED Harrisburg, Pa. 17105		
	CHK <i>J. DIORAZIO</i>			
	MATERIAL △	APPD <i>J. DIORAZIO</i>	NAME KEY PLUG INTERCONTACT	
	FINISH —	PRODUCT SPEC —		
	APPLICATION SPEC —	SIZE C	FSCM NO 00779	DRAWING NO 650025
	WEIGHT —	SCALE 10:1	SHEET 1 OF 2	

650025

THIS DRAWING IS UNPUBLISHED. RELEASED FOR PUBLICATION . 19 .
© COPYRIGHT 19 BY AMP INCORPORATED, HARRISBURG, PA. ALL INTERNATIONAL RIGHTS RESERVED. AMP PRODUCTS MAY BE COVERED BY U.S. AND FOREIGN PATENTS AND/OR PATENTS PENDING

LOC		DIST		P		F		ZONE		LTR		REVISIONS		
AD	14											DESCRIPTION	DATE	APPR
												SEE SHEET ONE		

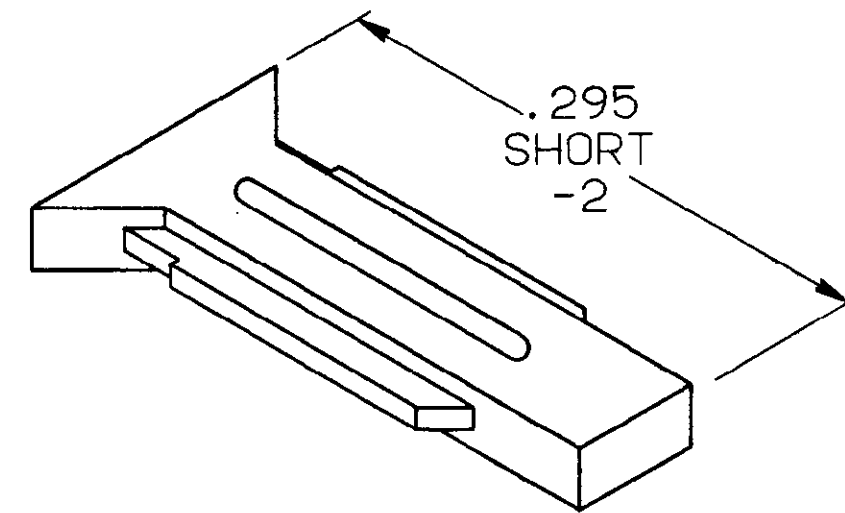
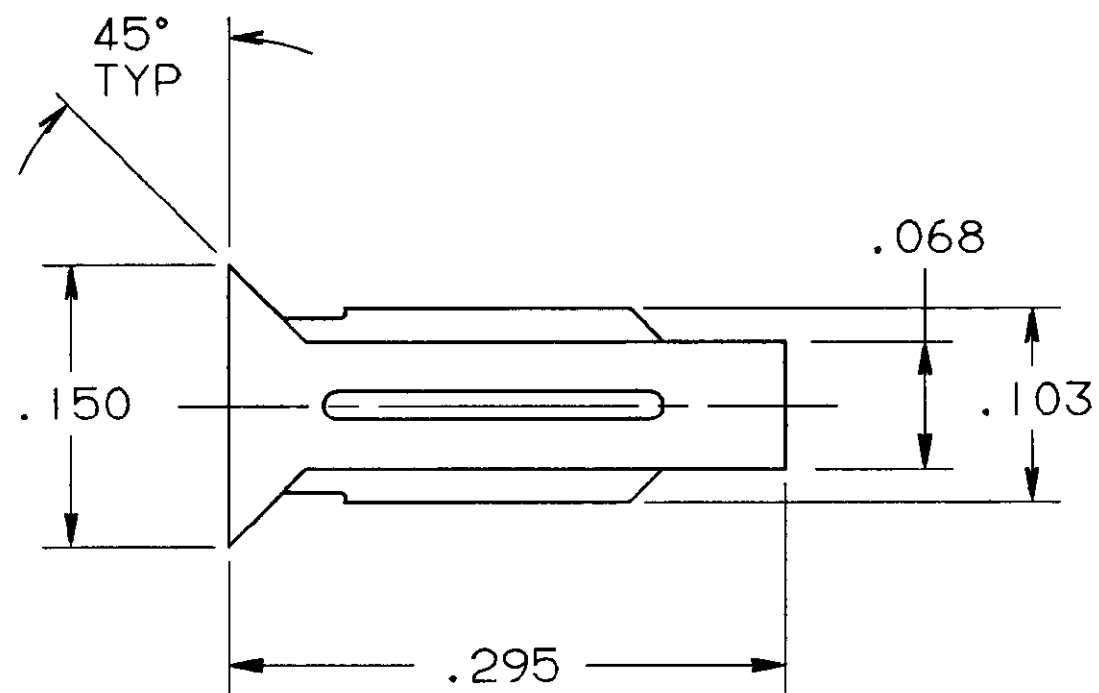
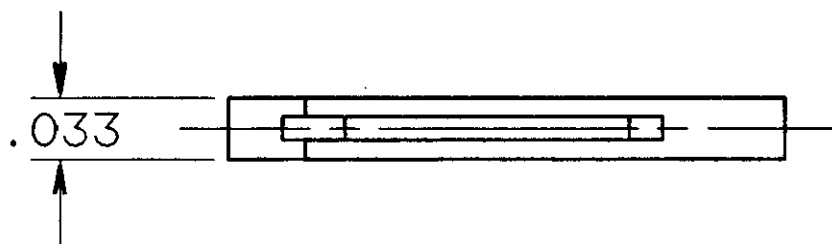


FIG. 2



650025

UNLESS OTHERWISE SPECIFIED DIMENSIONS ARE IN INCHES TOLERANCES ON: 2 PL DEC ± — 3 PL DEC ± — ANGLES ± 3°	DR <i>C. PIERCE</i> 1-16-87	AMP AMP INCORPORATED Harrisburg, Pa. 17105		
	CHK <i>J. DIORAZIO</i>			
	MATERIAL	APPD <i>J. DIORAZIO</i>	NAME KEY PLUG INTERCONTACT	
	FINISH	PRODUCT SPEC	SIZE C	FSCM NO 00779
	APPLICATION SPEC	SCALE 10:1		SHEET 2 OF 2
	WEIGHT			